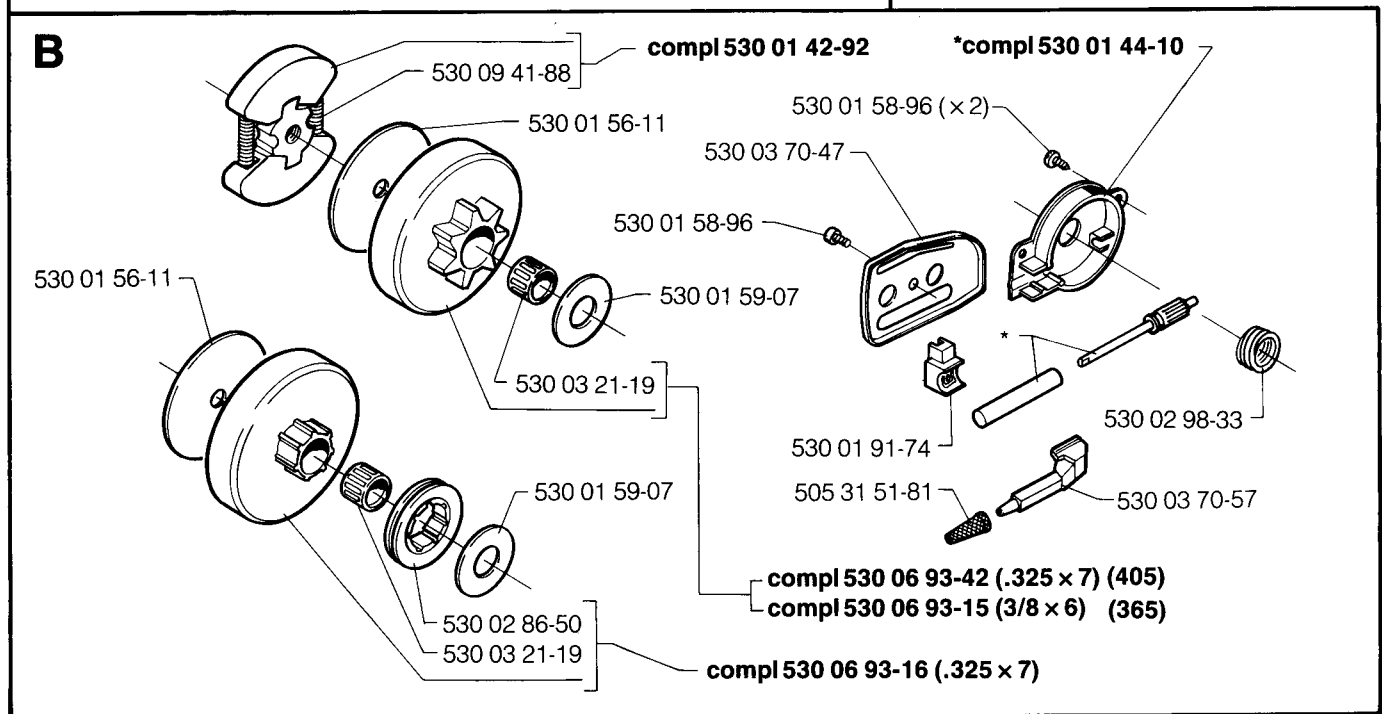
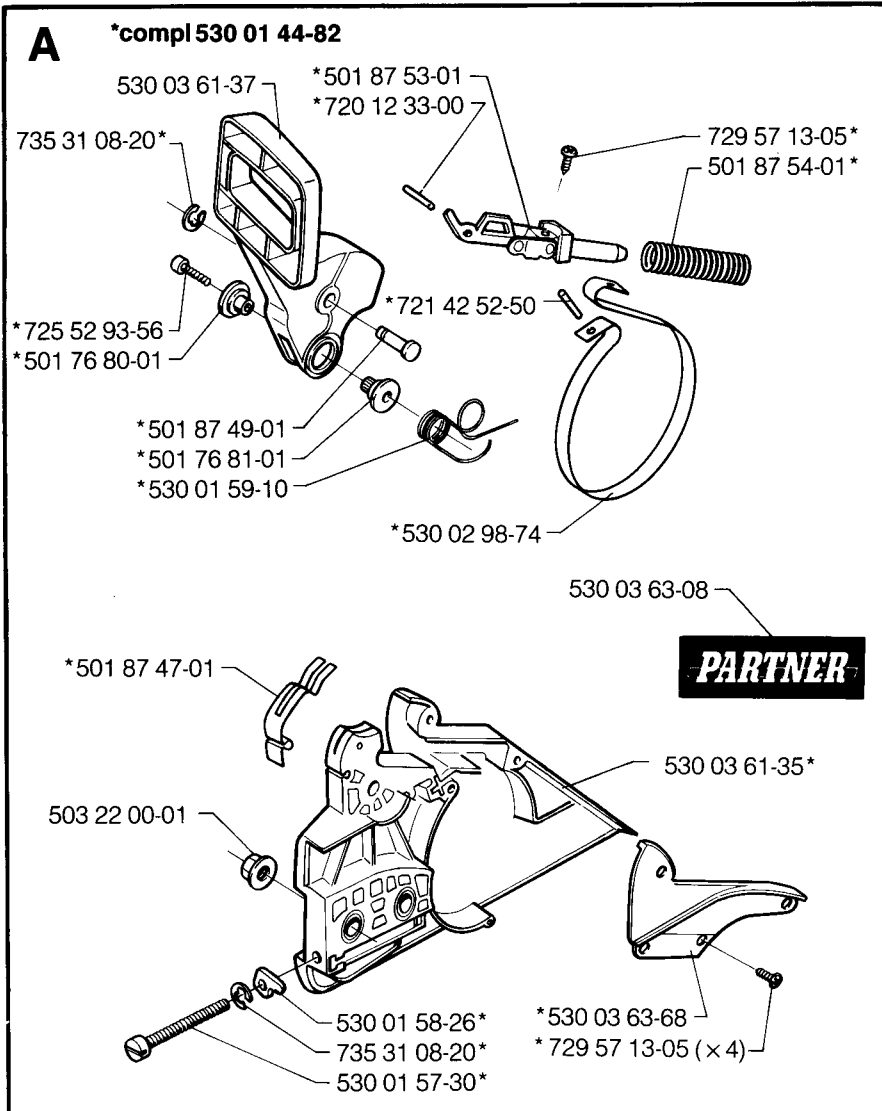
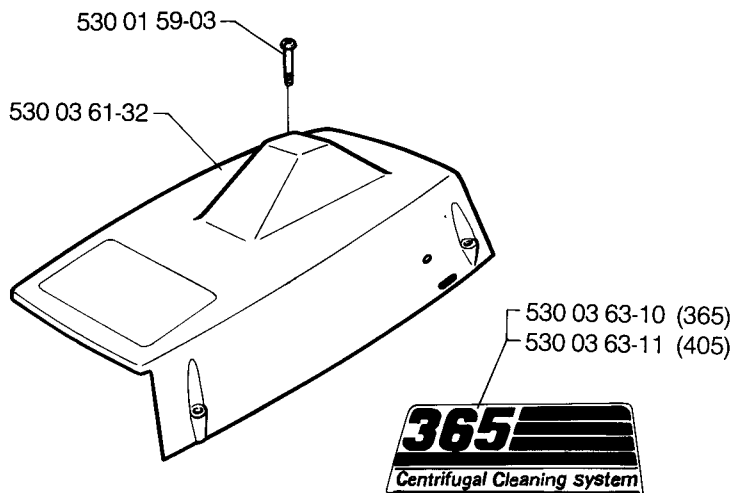


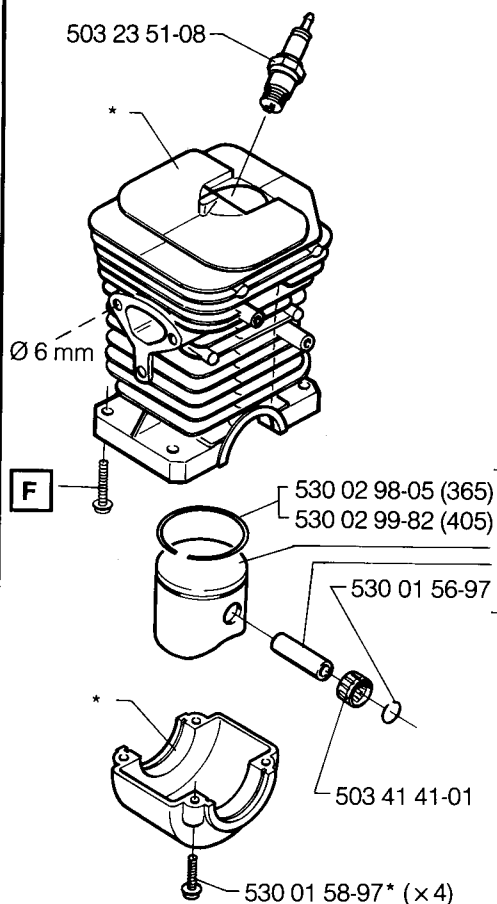
SPAREPARTS

107 25 92-62

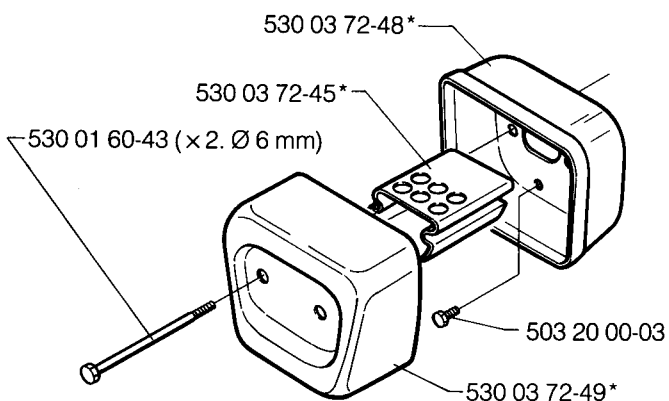


C**D**

* compl 530 06 94-17 (365. Ø38 mm)
* compl 530 06 94-14 (405. Ø40 mm)

**E**

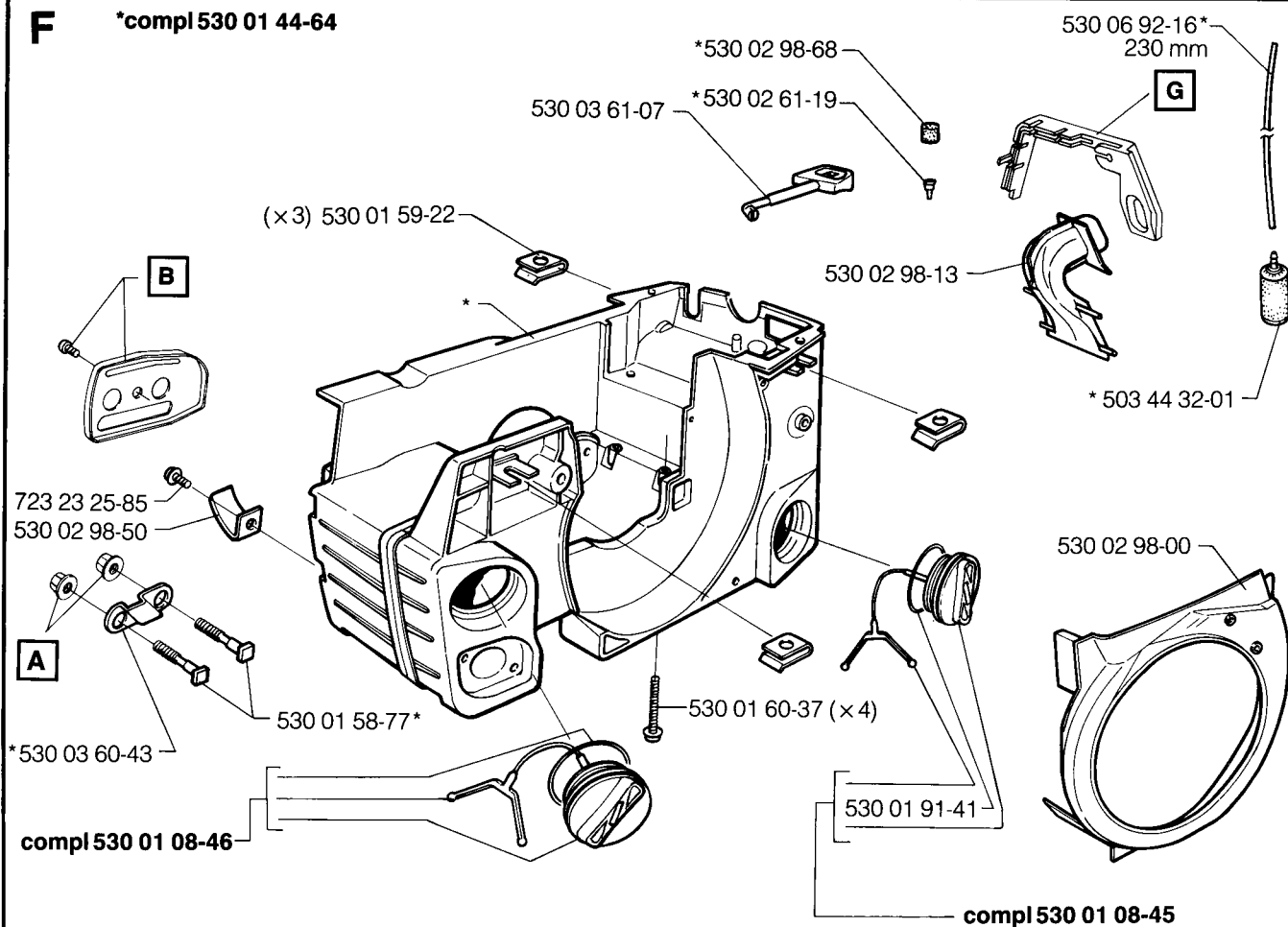
* compl 530 06 94-16

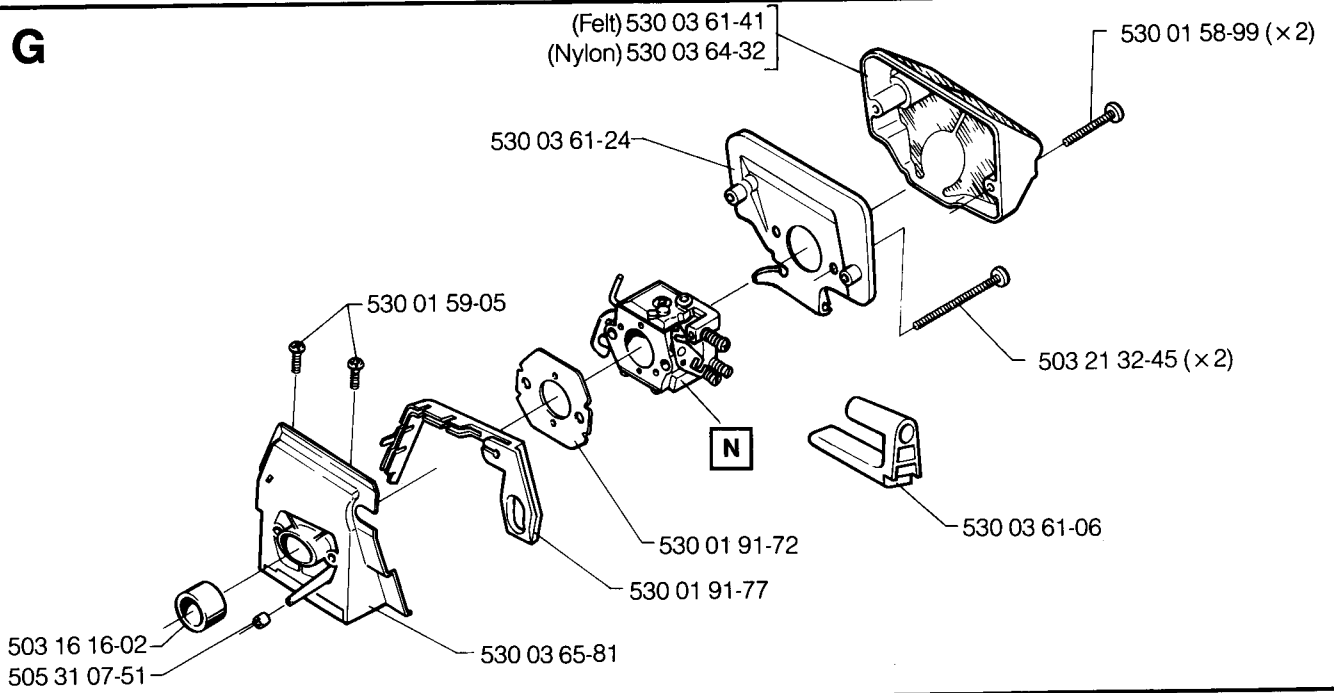
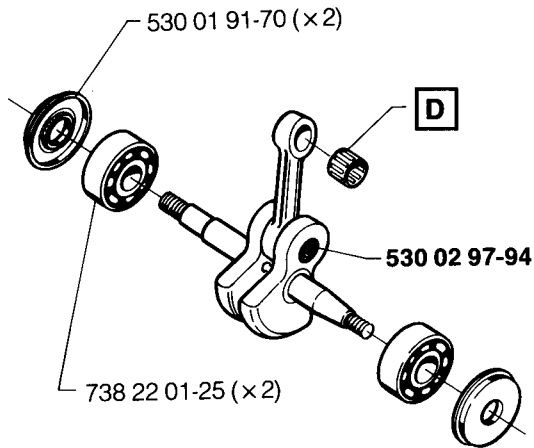
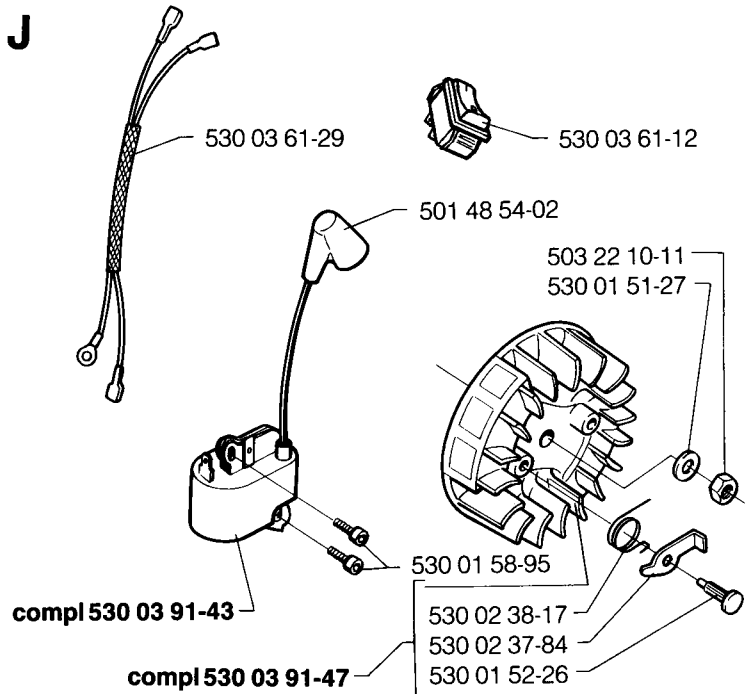
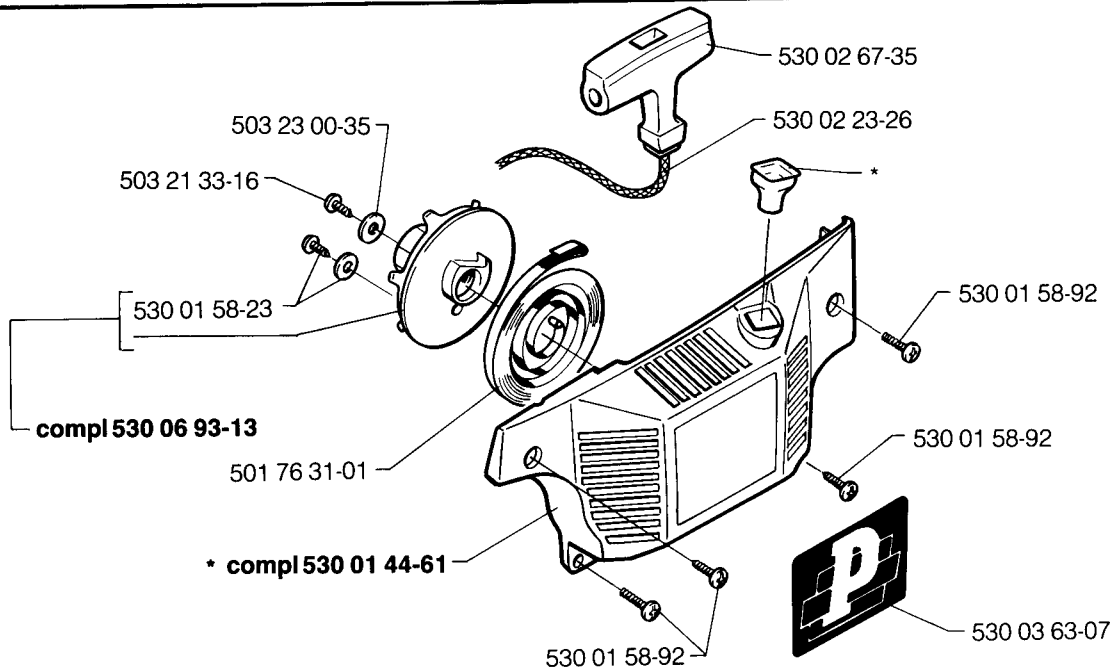


compl 530 06 93-17 (365)
compl 530 06 94-54 (405)

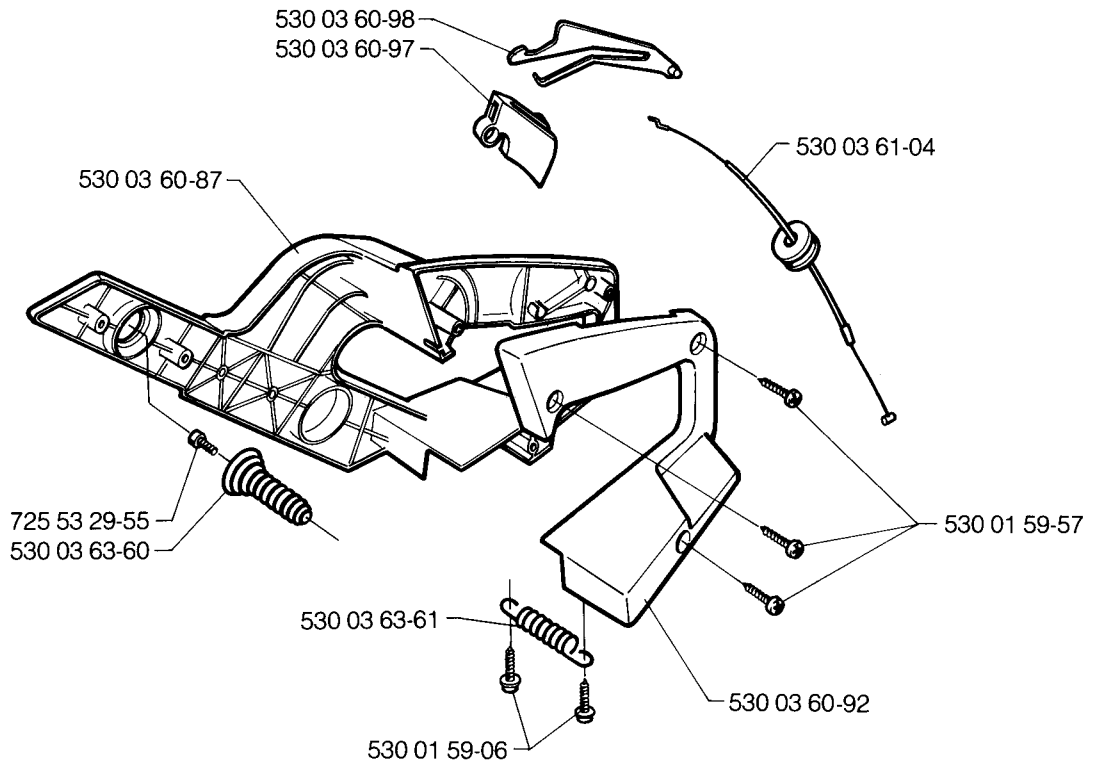
F

* compl 530 01 44-64

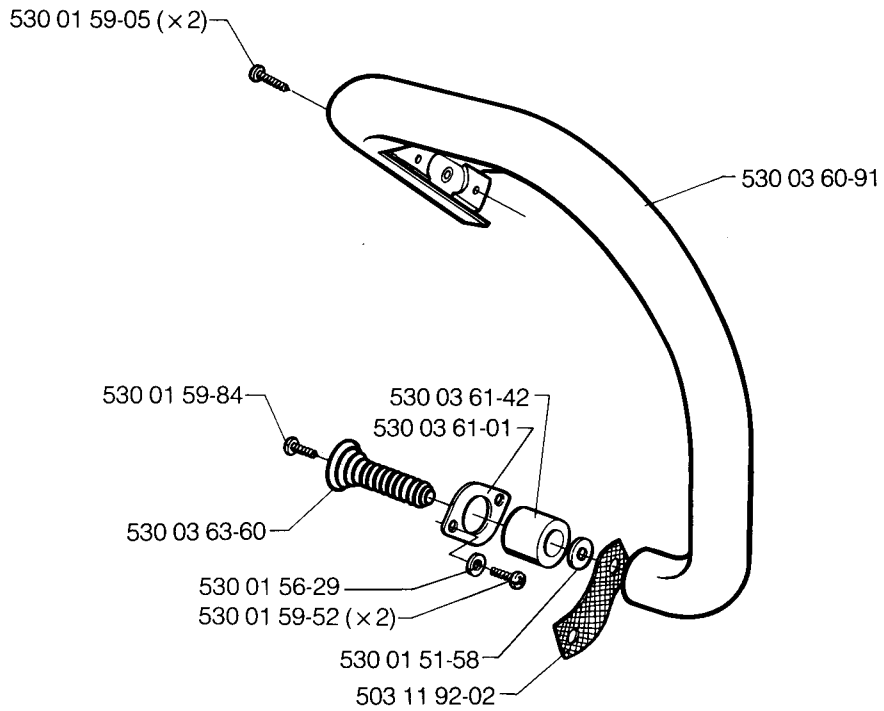


G**H****J****K**

L

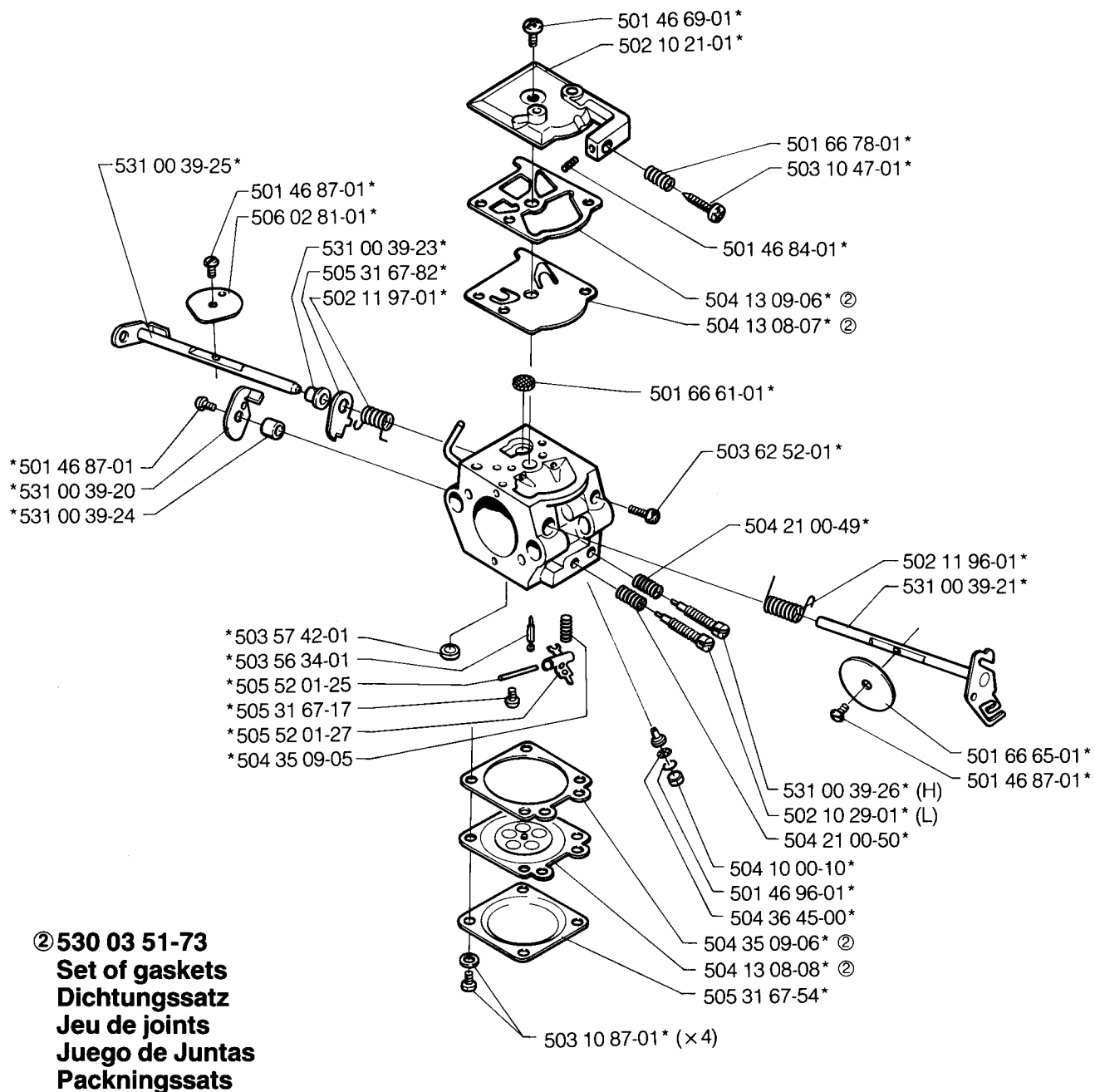


M

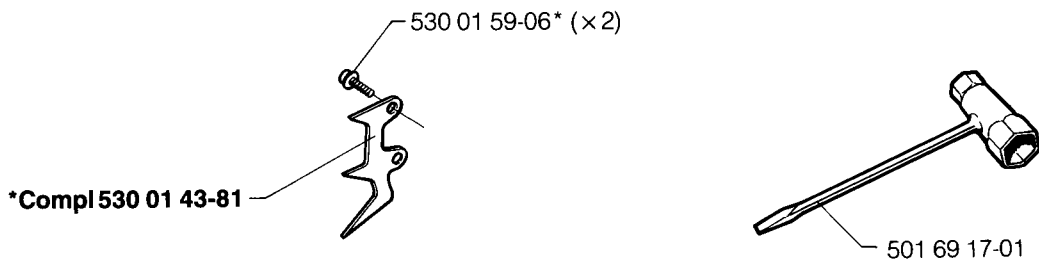


N

compl 530 03 53-30

Walbro WT 239**P**

Accessories
Zubehöre
Accessoires
Accesorios
Tillbehör



MODEL NUMBER 365/405

| PARTNUMBER | SQUARE | NOTE | PARTNUMBER | SQUARE | NOTE | PARTNUMBER | SQUARE | NOTE | PARTNUMBER | SQUARE | NOTE |
|--------------|--------|------|--------------|--------|------|--------------|--------|------|------------|--------|------|
| 501 46 69-01 | N | | 530 01 44-82 | A | | 530 03 61-12 | J | | | | |
| 501 46 84-01 | N | | 530 01 51-27 | J | | 530 03 61-24 | G | | | | |
| 501 46 87-01 | N | | 530 01 51-58 | M | | 530 03 61-29 | J | | | | |
| 501 46 96-01 | N | | 530 01 52-26 | J | | 530 03 61-32 | C | | | | |
| 501 48 54-02 | J | | 530 01 56-11 | B | | 530 03 61-35 | A | | | | |
| 501 66 61-01 | N | | 530 01 56-29 | M | N | 530 03 61-37 | A | | | | |
| 501 66 65-01 | N | | 530 01 56-97 | D | | 530 03 61-41 | G | | | | |
| 501 66 78-01 | N | | 530 01 57-30 | A | | 530 03 61-42 | M | | | | |
| 501 69 17-01 | P | | 530 01 58-23 | K | | 530 03 63-07 | K | | | | |
| 501 76 31-01 | K | | 530 01 58-26 | A | | 530 03 63-08 | A | | | | |
| 501 76 80-01 | A | | 530 01 58-77 | F | | 530 03 63-10 | C | | | | |
| 501 76 81-01 | A | | 530 01 58-92 | K | | 530 03 63-11 | C | | | | |
| 501 87 47-01 | A | | 530 01 58-95 | J | | 530 03 63-60 | L,M | | | | |
| 501 87 49-01 | A | | 530 01 58-96 | B | | 530 03 63-61 | L | | | | |
| 501 87 53-01 | A | | 530 01 58-97 | D | | 530 03 64-32 | G | | | | |
| 501 87 54-01 | A | | 530 01 58-99 | G | | 530 03 65-81 | G | | | | |
| 502 10 21-01 | N | | 530 01 59-03 | C | | 530 03 70-47 | B | N | | | |
| 502 10 29-01 | N | | 530 01 59-05 | M | N | 530 03 70-57 | B | N | | | |
| 502 11 96-01 | N | | 530 01 59-06 | L,P | | 530 03 72-45 | E | N | | | |
| 502 11 97-01 | N | | 530 01 59-07 | B | | 530 03 72-48 | E | N | | | |
| 503 10 47-01 | N | | 530 01 59-10 | A | | 530 03 72-49 | E | N | | | |
| 503 10 87-01 | N | | 530 01 59-22 | F | | 530 03 91-43 | J | | | | |
| 503 11 92-02 | M | | 530 01 59-52 | M | | 530 03 91-47 | J | | | | |
| 503 16 16-02 | G | | 530 01 59-57 | L | | 530 06 92-16 | F | N | | | |
| 503 20 00-03 | E | | 530 01 59-84 | M | N | 530 06 93-13 | K | | | | |
| 503 21 32-45 | G | | 530 01 60-37 | F | N | 530 06 93-15 | B | | | | |
| 503 21 33-16 | K | | 530 01 60-43 | E | N | 530 06 93-16 | B | | | | |
| 503 22 00-01 | A | | 530 01 91-41 | F | | 530 06 93-17 | D | N | | | |
| 503 22 10-11 | J | | 530 01 91-70 | H | | 530 06 93-42 | B | | | | |
| 503 23 00-35 | K | | 530 01 91-72 | G | | 530 06 94-12 | D | | | | |
| 503 23 51-08 | D | | 530 01 91-74 | B | | 530 06 94-14 | D | N | | | |
| 503 41 41-01 | D | | 530 01 91-77 | G | | 530 06 94-16 | E | N | | | |
| 503 44 32-01 | F | | 530 02 23-26 | K | | 530 06 94-17 | D | N | | | |
| 503 56 34-01 | N | | 530 02 37-84 | J | | 530 06 94-54 | D | N | | | |
| 503 57 42-01 | N | | 530 02 38-17 | J | | 530 09 41-88 | B | | | | |
| 503 62 52-01 | N | N | 530 02 61-19 | F | | 531 00 39-20 | N | | | | |
| 504 10 00-10 | N | | 530 02 67-35 | K | | 531 00 39-21 | N | | | | |
| 504 13 08-07 | N | | 530 02 86-50 | B | | 531 00 39-23 | N | | | | |
| 504 13 08-08 | N | | 530 02 97-94 | H | | 531 00 39-24 | N | | | | |
| 504 13 09-06 | N | N | 530 02 98-00 | F | | 531 00 39-25 | N | N | | | |
| 504 21 00-49 | N | | 530 02 98-05 | D | | 531 00 39-26 | N | N | | | |
| 504 21 00-50 | N | | 530 02 98-13 | F | | 720 12 33-00 | A | | | | |
| 504 35 09-05 | N | | 530 02 98-33 | B | | 721 42 52-50 | A | | | | |
| 504 35 09-06 | N | | 530 02 98-50 | F | | 723 23 25-85 | F | | | | |
| 504 36 45-00 | N | | 530 02 98-68 | F | | 725 52 93-56 | A | | | | |
| 505 31 07-51 | G | | 530 02 98-74 | A | | 725 53 29-55 | L | | | | |
| 505 31 51-81 | B | | 530 02 99-82 | D | | 729 57 13-05 | A | | | | |
| 505 31 67-17 | N | | 530 03 21-19 | B | | 735 31 08-20 | A | | | | |
| 505 31 67-54 | N | | 530 03 51-73 | N | | 738 22 01-25 | H | | | | |
| 505 31 67-82 | N | | 530 03 53-30 | N | N | | | | | | |
| 505 52 01-25 | N | | 530 03 60-43 | F | | | | | | | |
| 505 52 01-27 | N | | 530 03 60-87 | L | | | | | | | |
| 506 02 81-01 | N | N | 530 03 60-91 | M | | | | | | | |
| 530 01 08-45 | F | | 530 03 60-92 | L | | | | | | | |
| 530 01 08-46 | F | | 530 03 60-97 | L | | | | | | | |
| 530 01 42-92 | B | | 530 03 60-98 | L | | | | | | | |
| 530 01 43-81 | P | | 530 03 61-01 | M | | | | | | | |
| 530 01 44-10 | B | | 530 03 61-04 | L | | | | | | | |
| 530 01 44-61 | K | | 530 03 61-06 | G | | | | | | | |
| 530 01 44-64 | F | | 530 03 61-07 | F | | | | | | | |

N=NY DETALJ
 NEW PART
 NEUES TEIL
 NOUVELLE PIECE
 NUEVA PIEZA